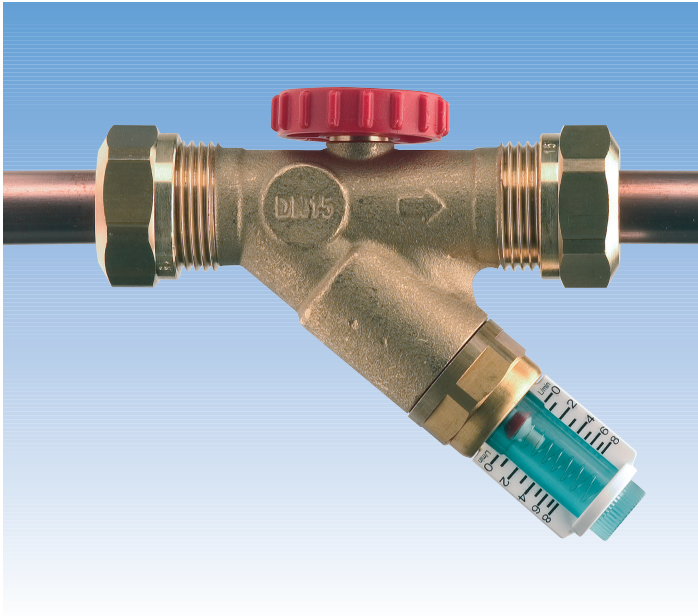


# WattFlow “Enterprise” Balancing Valves

A Clear View Into The Future<sup>©</sup>

# AXIO



## Advantages

- No calculations or additional equipment required to set flow rate.
- Low pressure drop.
- Tamper-proof facility.
- Constant visual, clear indication of flow.
- Can be installed in any position.
- Proven design concept.
- Wide measuring range.

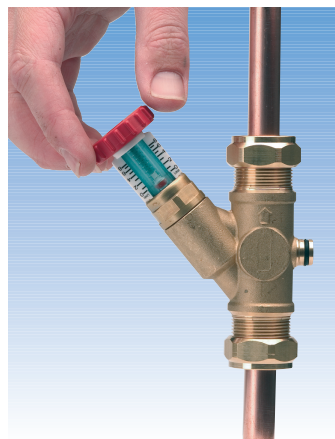
## Applications

Designed to offer a cost efficient and reliable solution to balancing circuits with relatively low flow rates, the “Enterprise” range of WattFlow balancing valves offers the Consultant and Mechanical Services Contractor a fast and accurate method of commissioning individual circuits and terminal appliances.

Applications include balancing of heating, cooling, ventilation, solar and heat pump installations. The compact design is especially suited to balancing fan coil installations, where access and ease of balancing is essential.

## Design

An integral flow meter, built into the brass body is adjusted by means of a removable wheel head. This can be left in a “parked” position on the valve after adjustment has been made or can be removed, making the valve tamperproof. Turning the wheel head clockwise or anti-clockwise decreases or increases the flow through the valve body. An indicator fitted into the clear plastic flow meter, which is manufactured from heat resistant plastic, rises up or down according to the setting position. The flow rate is read off the side indicator, which is calibrated in litres per minute. The flow rate can be easily read in whatever



position the valve is installed. System water does not pass through the flow meter, therefore should the water become dirty, the sightglass will remain clear, making it a simple task to either alter or check flow rates long after the system has been commissioned. The design allows the valve to be installed in any position; the direction of flow is stamped on the valve body.

## Product Range

| Part No   | DN | Kvs | Connections   | Lit/Min   |
|-----------|----|-----|---------------|-----------|
| AX3498000 | 15 | 1.7 | 15mm Comp     | 1.0 – 8.0 |
| AX3498010 | 15 | 1.7 | 1/2" F Iron   | 1.0 – 8.0 |
| AX3498013 | 20 | 1.7 | 15/22 mm Comp | 1.0 – 8.0 |
| AX3498025 | 20 | 2.0 | 15mm Comp     | 2.0 – 16  |
| AX3498030 | 20 | 2.0 | 22mm Comp     | 2.0 – 16  |
| AX3498015 | 20 | 2.0 | 3/4" F Iron   | 2.0 – 16  |

## Tender Information

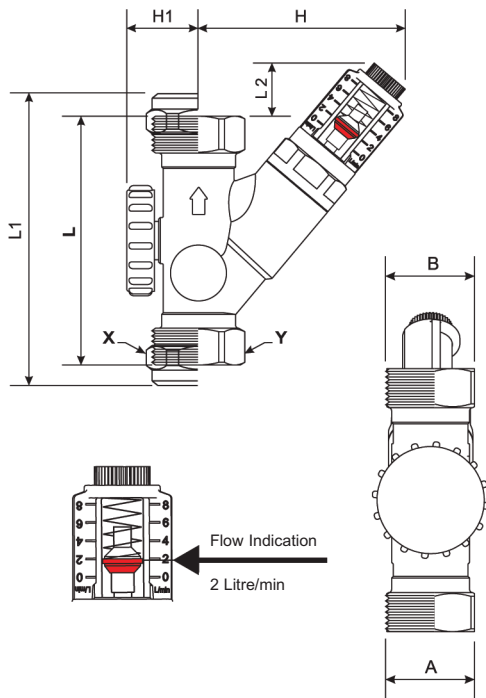
WattFlow Enterprise balancing valve from Axio, tel 01420 487788, fax 01420 487799, email sales@axio.co.uk. Valve with inclined seat for quick and easy circuit balancing, integrated flow meter not in medium flow, allowing clear reading of flow rate at all times. Tamperproof facility.

Nominal size DN 15/20, max operating temperature 100°C at 7 bar or 70°C at 10 bar. Flow indicator of impact and heat resistant plastic, body of brass, stainless steel spring and EDPM gaskets.

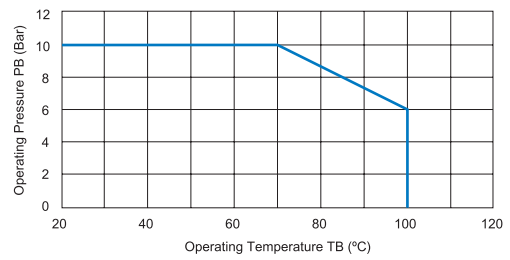
# WattFlow "Enterprise" Technical Details

# AXIO

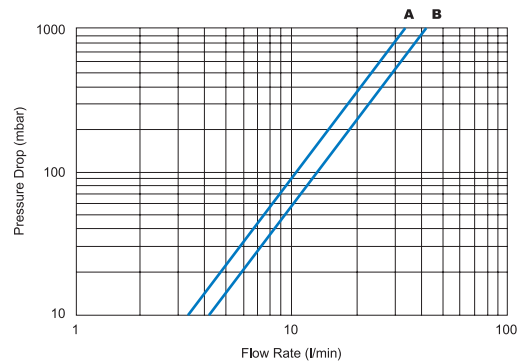
## Dimensions



## Pressure/Temperature Diagram



## Pressure Drop Diagram



| Pressure Drop Curve | Flow Rate  | Kvs |
|---------------------|------------|-----|
| A                   | 1-8 l/min  | 1.7 |
| B                   | 2-16 l/min | 2.0 |

## Dimensions

| PART No   | DN | A        | B  | L  | L1  | L2 | H  | H1 | X    | Y    |
|-----------|----|----------|----|----|-----|----|----|----|------|------|
| AX3498000 | 15 | 3/4" AG* | =A | 81 | 100 | 17 | 67 | 23 | -    | -    |
| AX3498010 | 15 | 1/2" IG  | -  | 81 | 100 | 17 | 67 | 23 | -    | SW27 |
| AX3498013 | 20 | 15/22mm  | =A | 86 | 106 | 7  | 71 | 27 | SW32 | -    |
| AX3498025 | 20 | 15mm     | =A | 86 | 106 | 5  | 71 | 27 | SW32 | -    |
| AX3498030 | 20 | 22mm     | =A | 86 | 106 | 5  | 71 | 27 | SW32 | -    |
| AX3498015 | 20 | 3/4" IG  | =A | 86 | -   | 15 | 71 | 27 | -    | -    |

Notes: \* = 15mm Eurocone / AG = Male thread. / IG = Female thread.

## Technical Specifications

|                            |  |
|----------------------------|--|
| Max Operating Temperature: | 100°C at 7.00 bar*   |
| Max Operating Temperature: | 70°C at 10.0 bar*  |
| Min Operating Temperature: | -10°C, when using appropriate Glycol or similar.                         |
| Accuracy of flow meter:    | +/- 10% of nominal flow – also applies with water/Glycol mix above 20°C. |
| Body:                      | Brass.   |
| Flow meter:                | Impact and Heat resistant plastic.                                       |
| Spring:                    | Stainless Steel.   |
| Seals:                     | EPDM   |

\* Please see Pressure/Temperature Diagrams



Annicom Limited  
Unit 21 Highview  
High Street  
Bordon, Hampshire  
GU35 0AX

Telephone: 01420 487788  
Fax: 01420 487799  
Email: sales@axio.co.uk  
www.axio.co.uk

Subject to modification

Leaflet 01/ENT/05